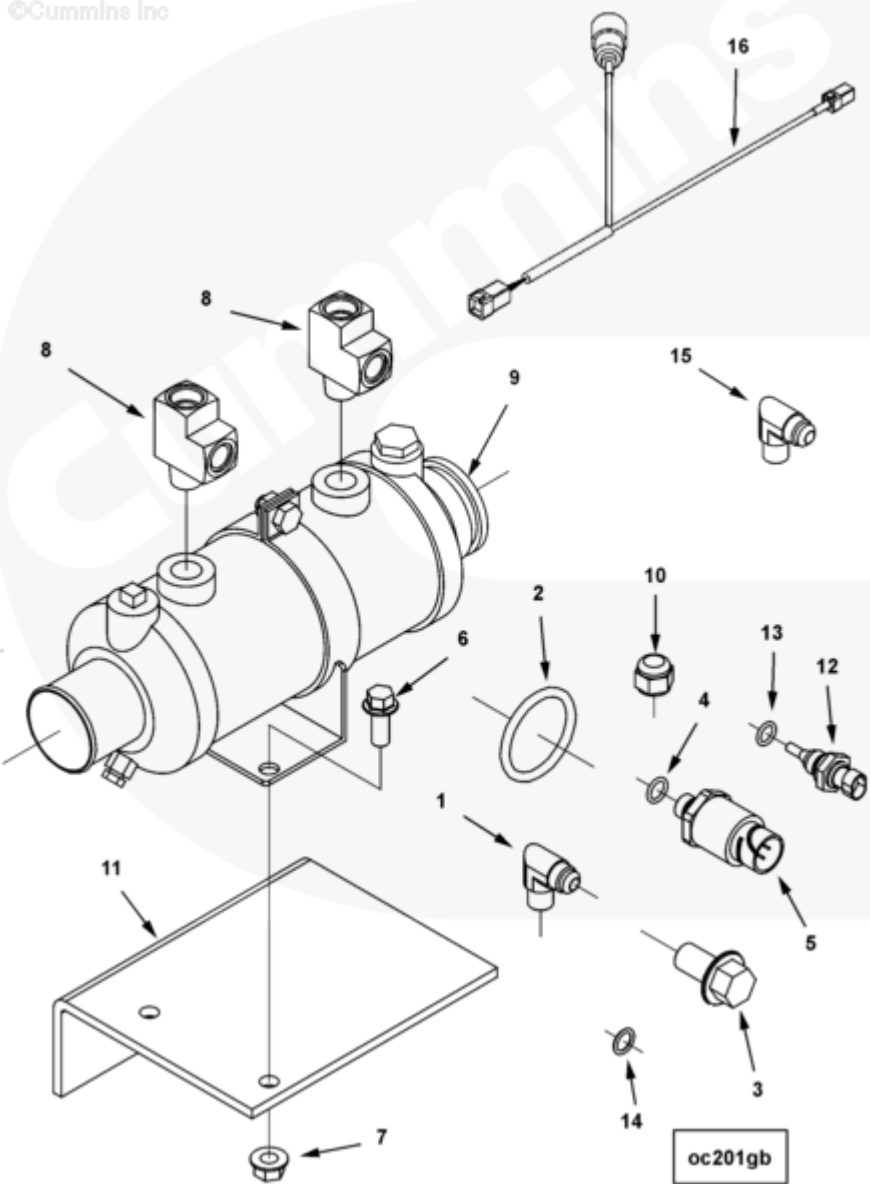




Parts Catalog - Option Detail

Electronic Parts Catalog - Option Detail				
Option	Group	Graphic	Film Card	Date
OC2008-03	16.05.4	oc201gb	II	08-SEP-04
Engines	ISM CM570, ISM CM570/870, ISM CM875, ISM CM876, ISM CM876 E, ISM11 CM876 M103, ISM11 CM876 SN, M11 CELECT, M11 CELECT PLUS, M11 MECHANICAL, QSM11 CM570, QSM11 CM876			



SMALL | MEDIUM | LARGE

Cart	Ref No	Part Number	Part Description	Required	Remarks
View My Cart					
		OC2008-03	Marine Gear Oil Cooler		

					Marine Gear Oil Cooler
					Marine Gear Oil Cooler
					with Shaft Log Water Supply
					Connection and Gear Oil
					Temperature and Pressure
					Sensor
					Sea Water Inlet/Outlet
					Diameter: 50.8mm (2 in.)
					Sea Water Flow: 3785 l/min
					(100 GPM at 2300 RPM
					Gear Cooler Detail Heat
					Rejection Capability: 25 KW
					(1400 btu/min)
					Inlet/Outlet Port Thds:
					1/2-NPT
					Inlet/Outlet Oil Connection:
					3/4-16 Str Thd W/45 Degree
					Flr
					Shaft Log Water Connection:
					1/4 NPT
					Sensor Monitoring Range:
					Temperature Range: -50
					Degrees C to + 150 Degrees C
					Temperature Range: -58
					Degrees F to 208 Degrees F
					Pressure Range: 50 KPA to
					3998 KPA
					Pressure Range:
					7.25 to 580 PSIA

<input type="checkbox"/>	1	68645	Male Adapter Elbow	1	
<input type="checkbox"/>	2	3028291	O-Ring Seal	1	
<input type="checkbox"/>	3	3089324	Hexagon Flange Head Cap Screw	2	M16 X 2.00 X 30.
<input type="checkbox"/>		3408570	Pressure Sensor	1	Marine Exhaust Gas Temp.
<input type="checkbox"/>	4	3330202	O-Ring Seal	1	
	5	3408571	Pressure Sensor	1	
<input type="checkbox"/>	6	3902460	Hexagon Flange Head Cap Screw	2	M10 X 1.50 X 25.
<input type="checkbox"/>	7	3902662	Hexagon Flange Nut	2	M10 x 1.50
<input type="checkbox"/>	8	3975770	Street Pipe Tee	2	
<input type="checkbox"/>	9	4003582	Oil Cooler	1	
<input type="checkbox"/>		3957921	Zinc Electrode Plug	1	
<input type="checkbox"/>		4003585	Oil Cooler Bracket	1	
<input type="checkbox"/>	10	4078744	Hexagon Cap Nut	1	
<input type="checkbox"/>	11	4078992	Oil Cooler Bracket	1	
<input type="checkbox"/>		4088750	Temperature Sensor	1	Coolant Or Oil Or Fuel.
	12	4088751	Temperature Sensor	1	
	13	4921574	O-Ring Seal	1	
<input type="checkbox"/>	14	4010519	O-Ring Seal	1	
<input type="checkbox"/>	15	43765	Male Adapter Elbow	2	3/8-18 X 3/4-16 (90)
<input type="checkbox"/>	16	3974592	Wiring Harness	1	